

User Guide

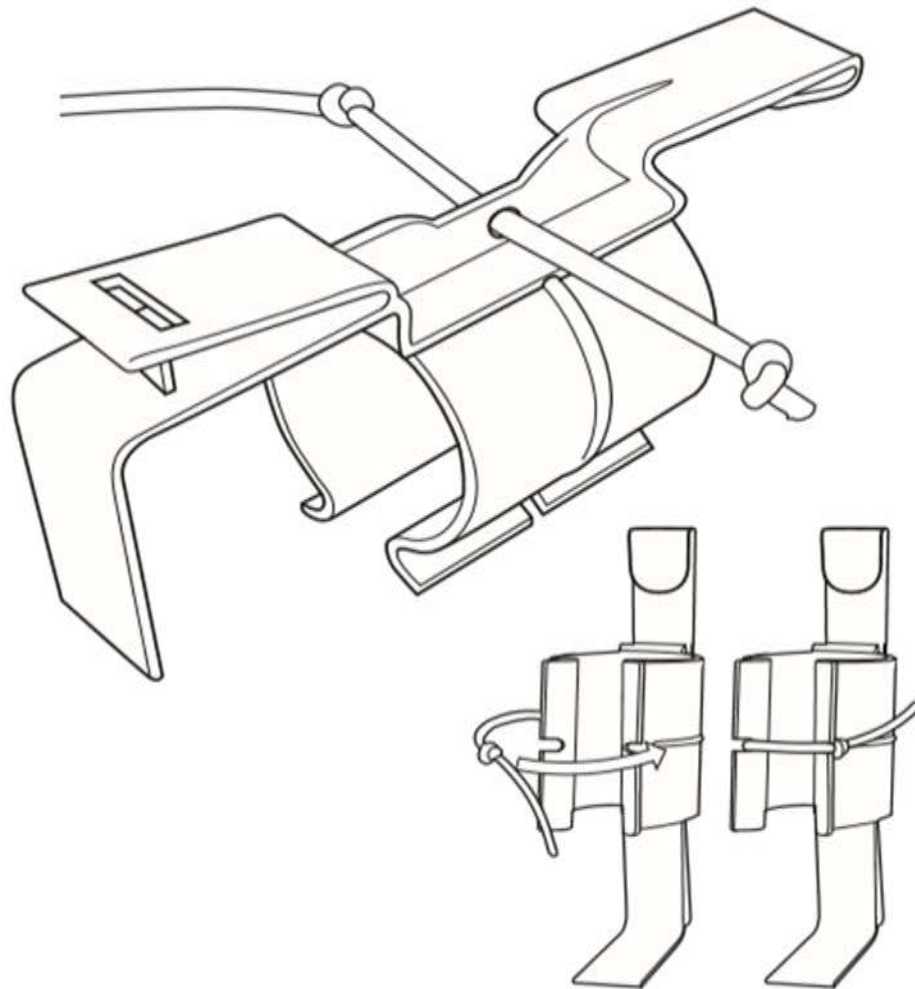
BANGER® CLIP
Model: Thunder



HANN Holsters LLC
North Branch, Minnesota

Attach (optional) Retention Cord:

1. Pull shock-cord through loop
2. Tie two knots approximately 2.75" (7cm) apart on either side of the loop



Attach to Molle:

1. Open clip-lock. Grasp base with fingers & lightly pull down while pushing thumbnail up and under the lock.
2. Thread top clasp up & through molle webbing
3. Thread clip-lock down & through molle webbing and snap closed.

